



# ASSEMBLY INSTRUCTIONS

## Full Height Diamond Bin Rack

WRA71200FH, WRA71201FH

Questions?

Toll free 1-888-373-6057 or visit [www.wineracksamerica.com](http://www.wineracksamerica.com)



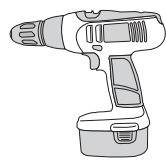
Thank you and CONGRATULATIONS for purchasing this quality product. Properly assembled, your racking will beautifully enhance your wine collection for many years to come. To assemble, please check to ensure all necessary parts are included and follow the assembly instructions closely. If you have any questions or problems please call customer service toll free 1-888-373-6057 Monday through Friday 7:00 am - 5:00pm MST.



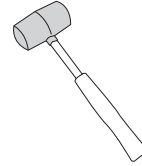
### Planning to stain?

For best results we recommend you stain or finish your racking BEFORE assembly.

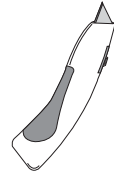
### Tools For Assembly:



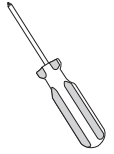
Cordless Drill



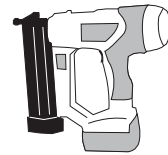
Rubber Mallet



Utility Knife

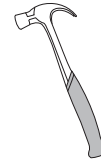


Screwdriver



Finish Nailer

OR



Hammer

+

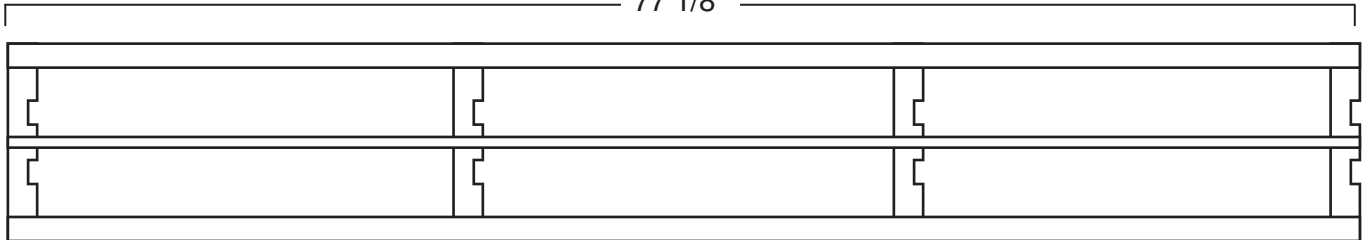


Nail Setter

## PARTS LIST

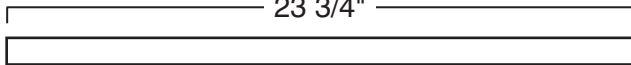
[x2] Full Length Ladder Assembly

77 1/8"



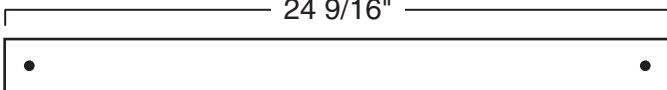
[x8] Middle Support

23 3/4"



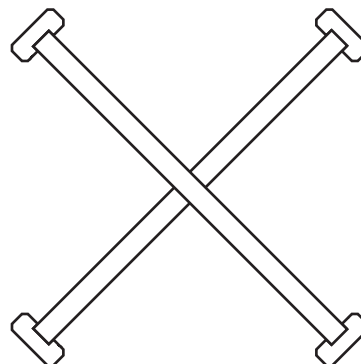
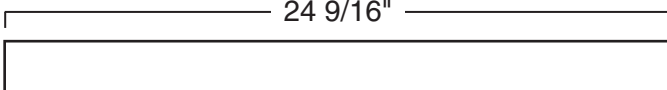
[x6] Standard Horizontal Connectors

24 9/16"



[x2] Screwless Horizontal Connectors

24 9/16"



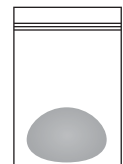
[x3] "X" Assembly



[x12] 1 1/4" WOOD SCREWS



[x4] FINISH NAILS

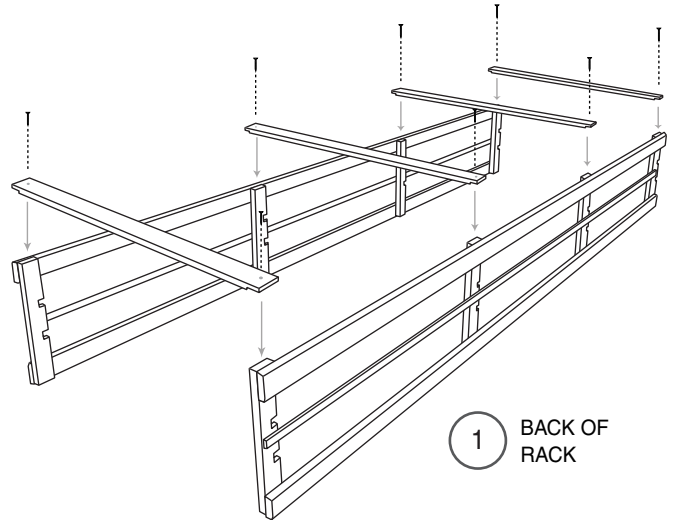


SMALL BAG OF WOOD PUTTY

\* PLEASE FOLLOW WRITTEN INSTRUCTIONS CAREFULLY

1. Find an open, flat area in which to work. Carefully remove all components from the box and remove banding with a utility knife. Check the parts list to verify package contents.

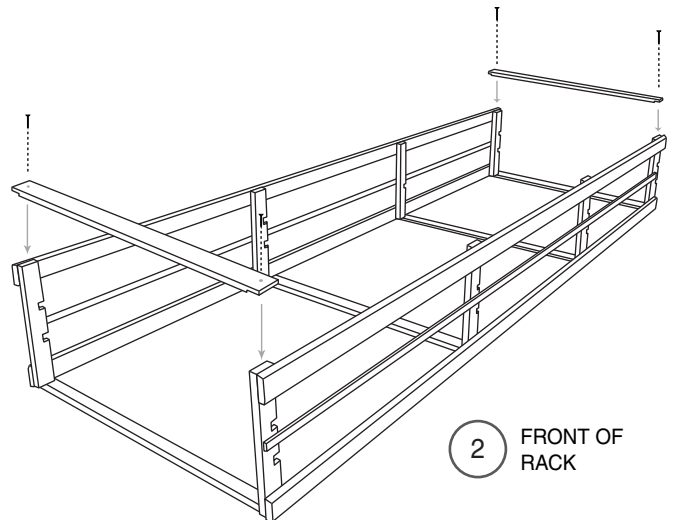
2. Orient the two side ladder assemblies on the floor as shown, then attach 4 standard horizontal connectors to the side ladders using the 1 1/4" screws provided. The top & bottom connector should fit flush with the top & bottom of the rack. **This will be the back of your rack.** (figure 1)



\*Minimize the risk of splitting your side ladders by drilling a 1/16" pilot hole before driving the wood screws. For best results, drive the screw most of the way in with your drill, then finish tightening by hand.

3. Flip rack over and repeat step two for the top and bottom connectors only. (figure 2)

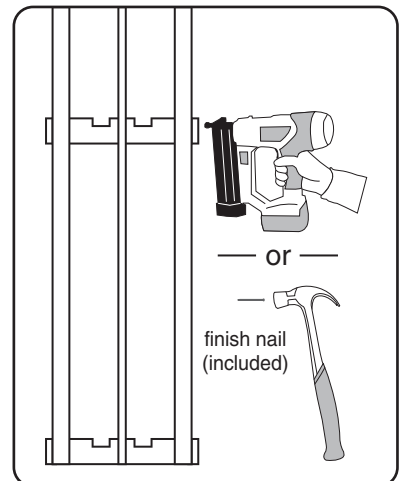
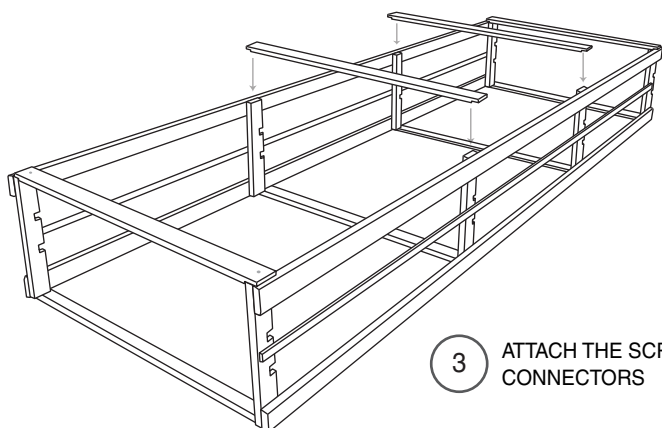
4. Attach the middle screwless connectors so that the top edge of the connectors fit flush with the ladder support pieces on each vertical ladder. Make sure the rack is flat on the floor while attaching the screwless connectors. (figure 3)



Secure the screwless connectors using a finish nail gun to drive a finish nail through the connector into each vertical ladder. (figure 4)

If you do not have a finish nail gun, drive one of the provided finish nails into each vertical ladder until it is flush. Then, countersink the nail using a nail setter until the head of the nail is about 1/16" below the surface of the wood.

5. Fill the nail holes using the wood putty provided. Simply push the putty into each hole using your thumb and wipe excess putty off the surface using a damp cloth.

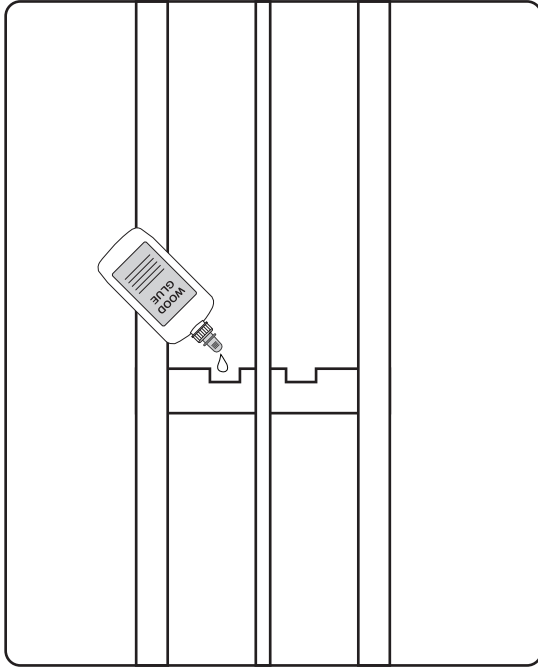


3 ATTACH THE SCREWLESS CONNECTORS

4 SECURE WITH FINISH NAILS

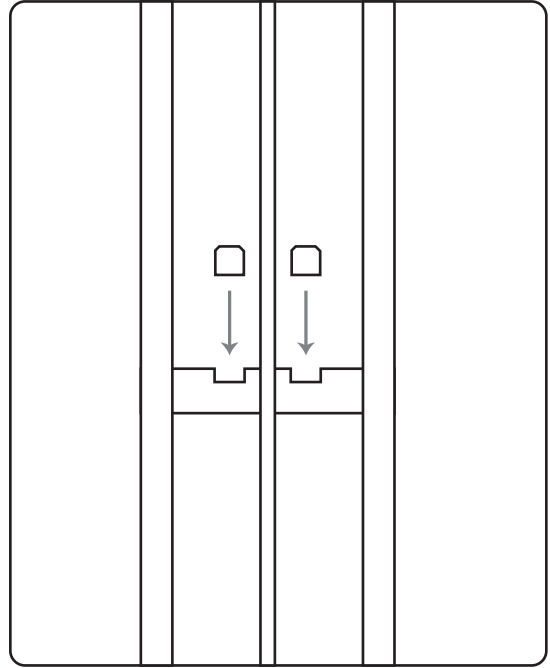
6. Place a dab of wood glue into each notch in the riser supports. (figure 5)

Place the eight 23 3/4" middle supports into place so that each edge of each middle support is flush with the edge of each riser support. (figure 6)



5

**SECURING THE MIDDLE SUPPORTS**

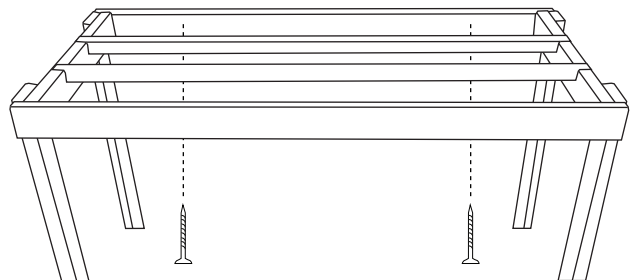


6

---

7. Stand your rack upright. Anchor the rack to a stabilizing surface (wall, ceiling, another rack) by driving 2 1/2" screws through one or more of the connectors. (figure 7)

**SECURING YOUR RACK TO THE WALL**

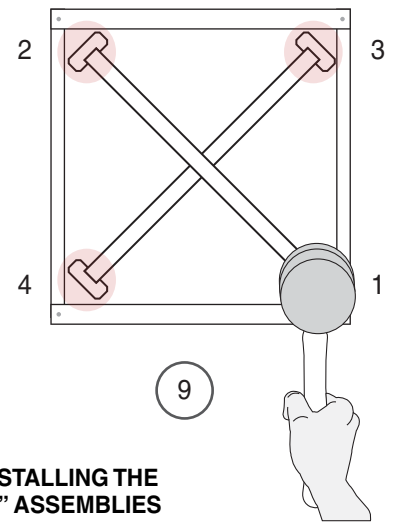
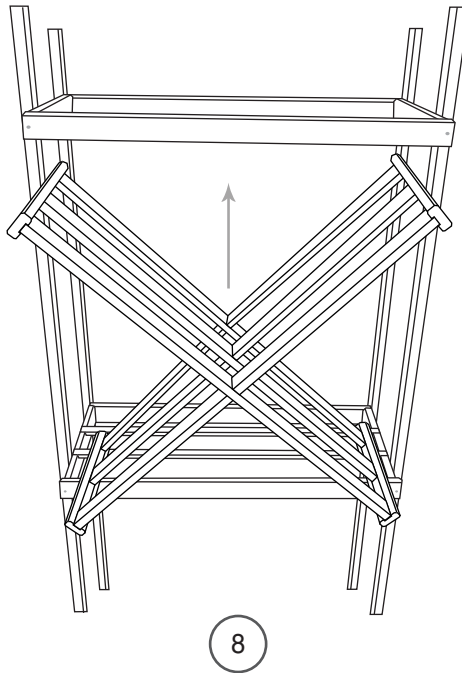


7

8. Insert the three X assemblies. The fit should be snug, not loose. Carefully work each corner into place until the assembly is seated all the way in. (figure 8)

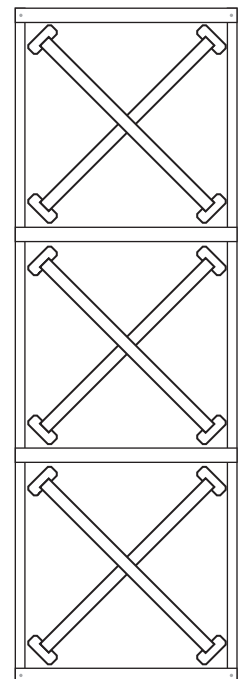
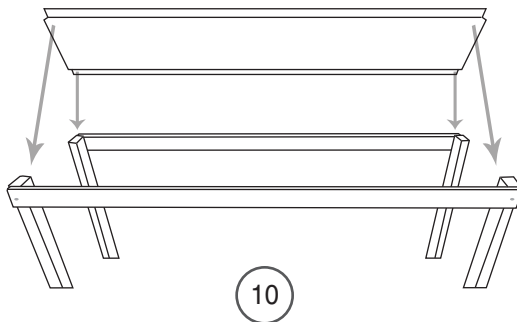
**\*DO NOT push on the center of the X**

If necessary you may need to lightly tap the 4 corners of the X Assembly with a rubber mallet. (figure 9)



9. If you are planning to use this rack with our Top Cap shelving system, you'll need to remove the top two 9 3/4" riser supports and two 23 3/4" middle supports from the top of your rack so that the shelving can seat properly along the top of the rack. You can re-sturdy the rack by driving screws down into the rack from above the Top Cap shelving system. (figure 10)

**TOP CAP SHELVING**



10. That's it! Enjoy this beautiful rack with your favorite beverage. Pair with other rack styles for an ultimate cellar storage look.



**WINE RACKS AMERICA**

360 N 700 W suite F • North Salt Lake, UT 84054  
 (toll free) 888-373-6057  
 (fax) 801-936-0534

WineRacksAmerica.com

Once again thank you for your business. Remember, customer service is available to answer your questions M-F 7:00 am - 5:00 pm MST. Please feel free to contact us for any wine storage need.