



ASSEMBLY INSTRUCTIONS

Baker Style Wine Rack

Questions?
Toll free 1-888-373-6057 x 2

For all Baker Style Rack models **WRA4900 & WRA4901** 90 Bottle



Thank you and CONGRATULATIONS on your purchase. Properly assembled, your racking will beautifully enhance your wine collection for many years to come. To assemble, please check to ensure all necessary parts are included and follow the assembly instructions closely. If you have any questions or problems please call customer service toll free 1-888-373-6057 Monday - Friday 7:00 am to 5:00 pm MST. Or, visit us on the web at www.wineracksamerica.com



Planning to stain?

For best results we recommend you stain or finish your racking BEFORE assembly

Tools for assembly:



Phillips screwdriver



Cordless drill



1/16" pilot hole bit (optional)

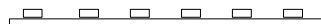


Utility knife

PARTS LIST:



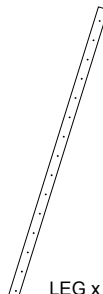
#6 WOOD SCREWS 1 1/4"



SHELF x 15



#6 WOOD SCREWS 1"



LEG x 4

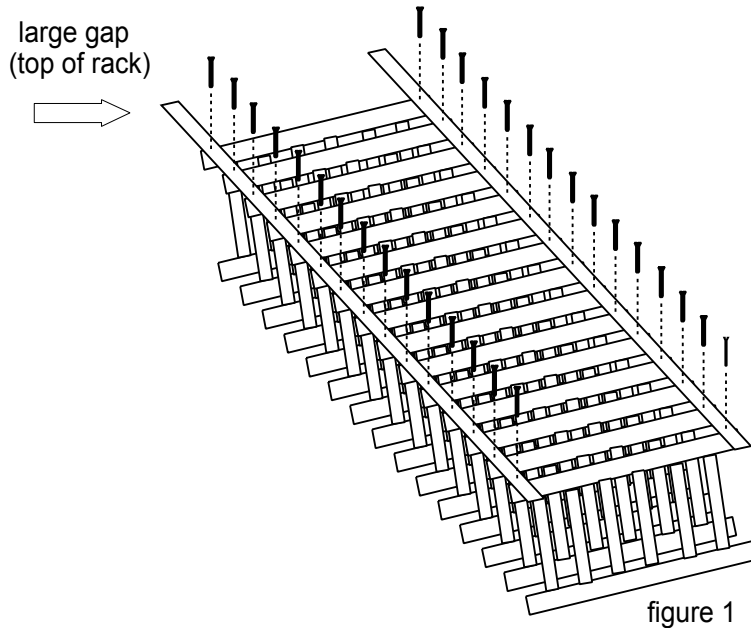


TRIM PIECE x 4

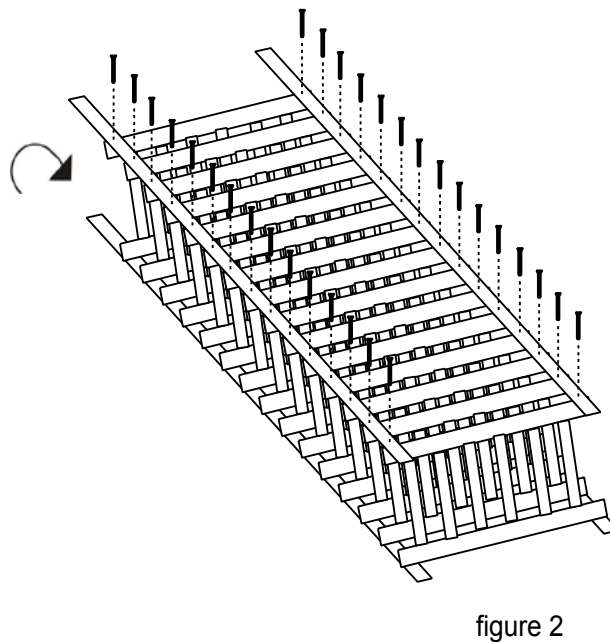
(parts not to scale)

ASSEMBLY INSTRUCTIONS

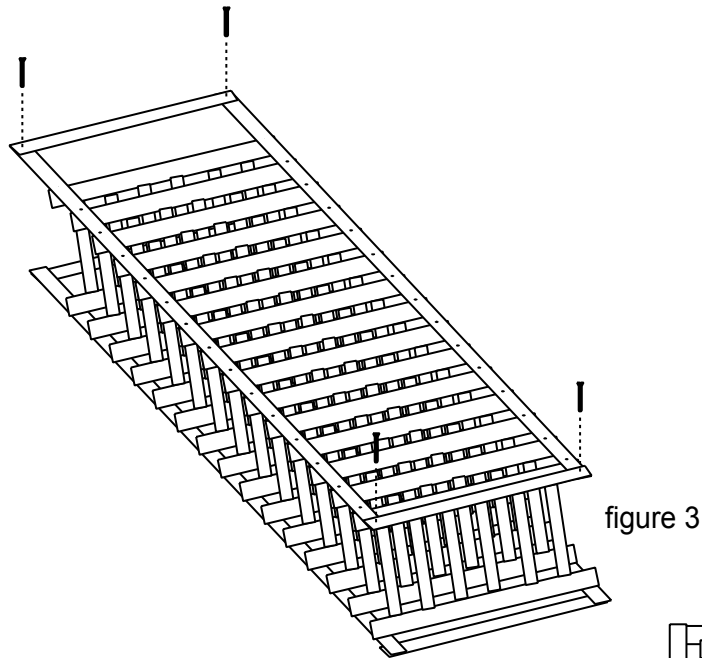
1. Find an open, flat area in which to work. Carefully remove all components from the box and remove banding with a utility knife. Check the parts list above for package contents.
2. Orient each shelf on the floor with all of the bottle supports facing the same direction. Orient a leg along both edges of the shelves with the larger gap at the top of the rack. Fit the edge of each shelf into a notch in the leg. Drill pilot holes (optional) and attach leg flush with the edge of each shelf using the 1 1/4" wood screws that came with your rack. Repeat on both sides. (figure 1)



3. Flip your assembly over and repeat step 2. (figure 2)



4. Attach top and bottom trim piece on both sides using the 1" wood screws that came with your rack. (see figure 3)



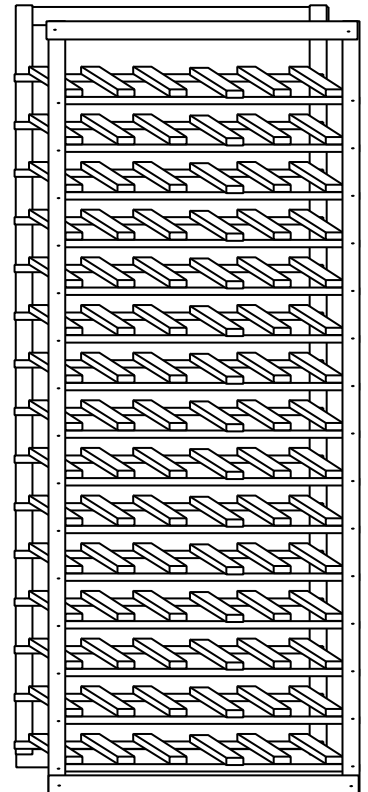
5. **Attach rack to the wall**

Depending on how much wine you store your rack could weight as much as 225lbs. Avoid tipping by attaching your rack to a wall.

1) Put rack where you are going to want to leave it. Shim the rack even with the wall. Locate a wall stud behind the rack. Drive a 2 1/2" wood screw through a leg to secure to the stud.

OR

2) Shim even, then use " L" brackets (available at any hardware store) and attach to both the rack and the wall in any out of the way spot.



WINE RACKS AMERICA

360 N 700 W suite F • North Salt Lake, UT 84054
(toll free) 888-373-6057
(fax) 801-936-0534

WineRacksAmerica.com

Once again thank you for your business. Remember, customer service is available to answer your questions M-F 7:00 am - 5:00 pm MST. Please feel free to contact us for any wine storage need.