



ASSEMBLY INSTRUCTIONS

Deluxe Series Racks

Questions?
Toll free 1-888-373-6057 x 2

For all Deluxe models **WRA3360 & WRA3361** - 36 Bottles
WRA3640 & WRA3641 - 64 Bottles
WRA31000 & WRA31001 - 100 Bottles
WRA31440 & WRA31441 - 144 Bottles



Thank you and CONGRATULATIONS on your purchase. Properly assembled, your racking will beautifully enhance your wine collection for many years to come. To assemble, please check to ensure all necessary parts are included and follow the assembly instructions closely. If you have any questions or problems please call customer service toll free 1-888-373-6057 Monday - Friday 7:00 am to 5:00 pm MST. Or, visit us on the web at www.wineracksamerica.com

Tools for assembly:



Phillips screwdriver



Cordless drill



1/16" pilot hole bit (optional)



Utility knife



Planning to stain?

For best results we recommend you stain or finish your racking BEFORE assembly

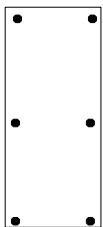
PART DESCRIPTIONS:



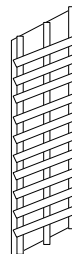
SCREW CAP



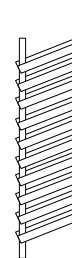
#6 WOOD SCREWS 1 1/4"



TOP



SIDE LADDERS



MIDDLE LADDERS

(not to scale)

Please verify that you have the correct number of parts before proceeding. Your bundle should contain the following:

PACKAGE CONTENTS

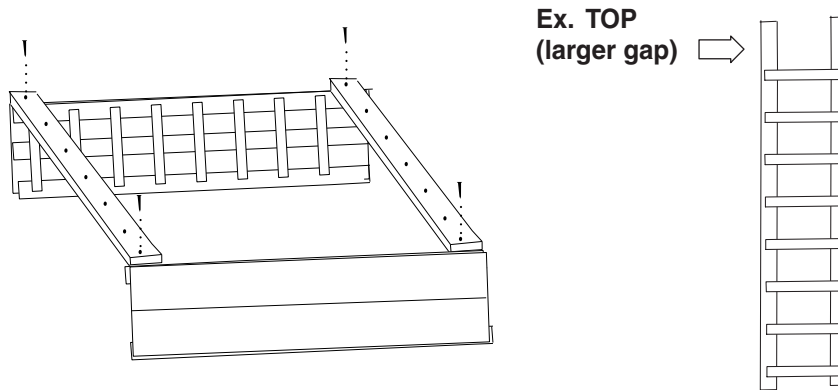
Model #	Top	Sides	Middle Risers	Column Connectors
WRA3360	1	2	5	4
WRA3361	1	2	5	4
WRA3640	1	2	7	4
WRA3641	1	2	7	4
WRA31000	1	2	9	4
WRA31001	1	2	9	4
WRA31440	1	2	11	4
WRA31441	1	2	11	4

To correct any packaging errors please contact us by phone or support@wineracksamerica.com

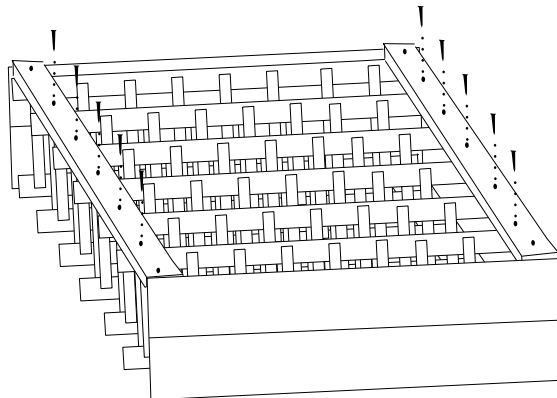
ASSEMBLY INSTRUCTIONS - We'll put together a 64 Bottle Deluxe as an example. If you purchased another Deluxe model, follow these instructions and simply adjust for the number of middle ladders in your model.

Step 1) Find an open, flat area in which to work. Carefully remove all components from the box and remove banding with a utility knife. Check to insure your package contains all necessary components as described above.

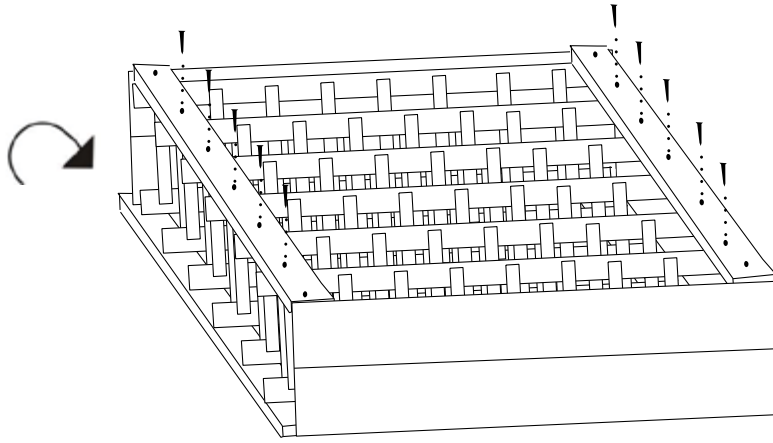
Step 2) Arrange the sides ladders so that the bottle support pieces face one another. Align the large gaps on each ladder. The end with the larger gap is the top of your rack. Attach the top and bottom connectors at all four corners, flush with the top and bottom edges of the side ladder.



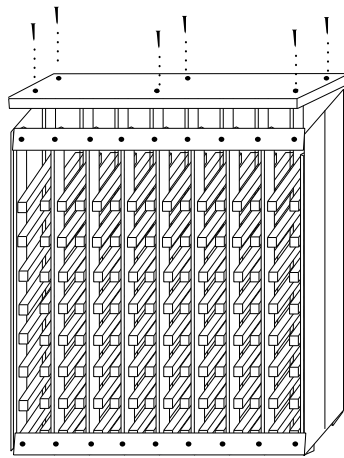
Step 3) Insert middle ladders and finish securing the top and bottom connectors.



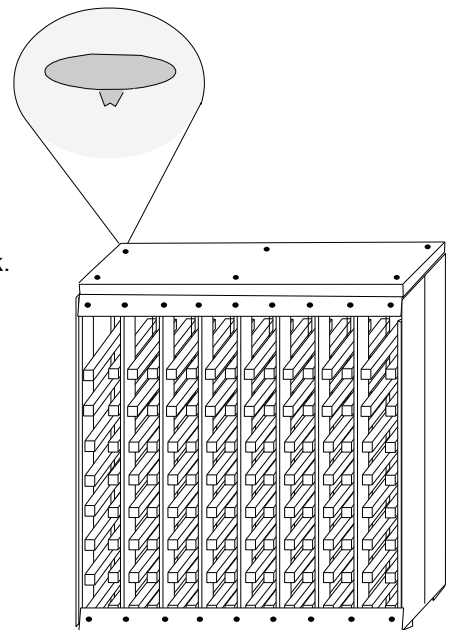
Step 4) Flip rack over. Repeat step 3.



Step 5) Stand your rack up and attach the top. Tighten screws about 1/2 turn past flush to insert screw caps.



Step 6) Insert one screw cap into the head of each screw on the top of your rack.



WINE RACKS AMERICA

360 N 700 W suite F • North Salt Lake, UT 84054
(toll free) 888-373-6057
(fax) 801-936-0534

WineRacksAmerica.com

Once again thank you for your business. Remember, customer service is available to answer your questions M-F 7:00 am - 5:00 pm MST. Please feel free to contact us for any wine storage need.