



# ASSEMBLY INSTRUCTIONS

## Display Top Wine Racks (All Models)

Questions?  
Toll free 1-888-373-6057 or visit [WineRacksAmerica.com](http://WineRacksAmerica.com)

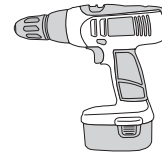


Thank you and CONGRATULATIONS for purchasing this quality product. Properly assembled, your racking will beautifully enhance your wine collection for many years to come. To assemble, please check to ensure all necessary parts are included and follow the assembly instructions closely. If you have any questions or problems please call customer service toll free 1-888-373-6057 Monday through Friday 7:00 am - 5:00pm MST.



**Planning to stain?**  
For best results we recommend you stain or finish your racking BEFORE assembly.

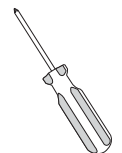
### Tools For Assembly:



Cordless Drill



Utility Knife

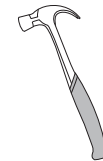


Screwdriver



Finish Nailer

OR



Hammer

+



Nail Setter

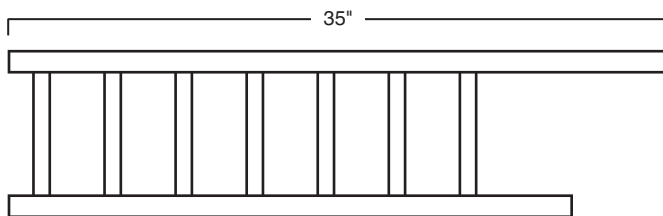


The instructions pictured are for a 64 bottle display top rack. Follow the same steps for all display top racks, regardless of model.

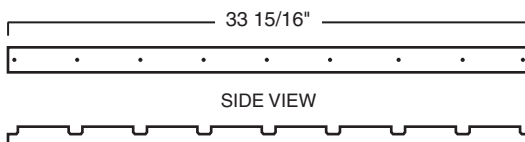
## PARTS LIST

PARTS ARE NOT TO SCALE

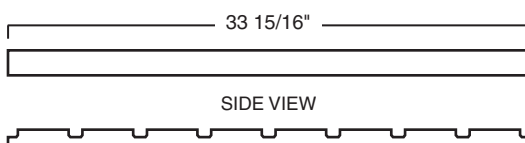
LADDER ASSEMBLY x 9



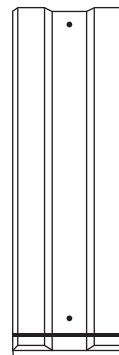
STANDARD COLUMN CONNECTORS x 2



SCREWLESS COLUMN CONNECTORS x 2



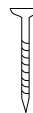
WOOD DISPLAY TRAYS x 8



PLEXIGLASS INSERTS x 8



1" WOOD SCREWS x 16



1 1/4" WOOD SCREWS x 18

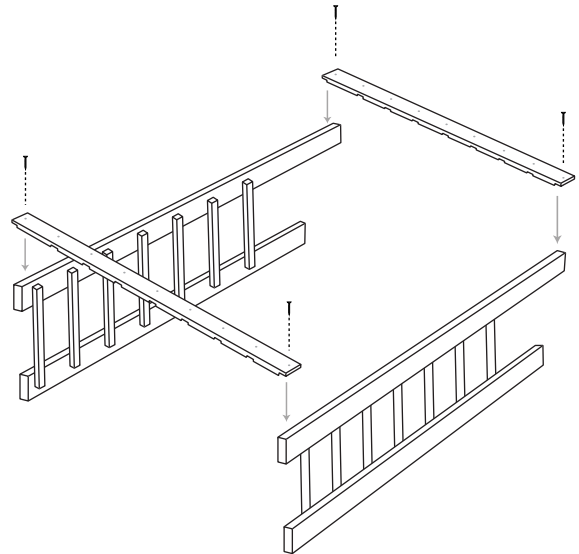


FINISH NAILS x 18



SMALL BAG OF WOOD PUTTY

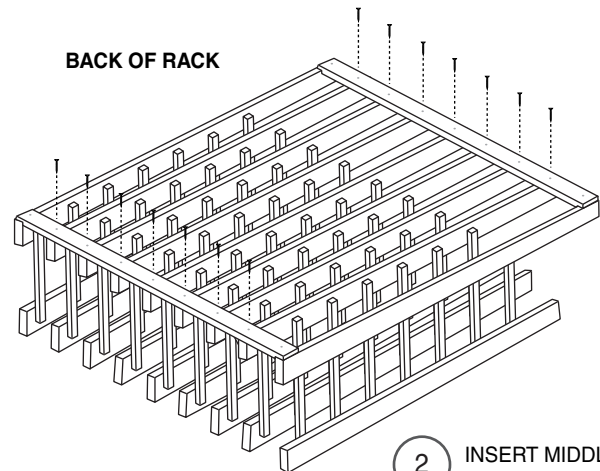
1. Find an open, flat area in which to work. Carefully remove all components from the box and remove banding with a utility knife. Check the parts list to verify package contents
2. Arrange the two side ladders on the floor so that the bottle support pieces face one another. There is a specific front and back. The end with the staggered risers is the top of your rack, the longer riser is the back of your rack. Attach two standard column connectors to the back of your rack. Secure the connectors at all four corners, using the 1 1/4" screws provided. Make sure that the connectors are flush with the top and bottom edge of the ladders. (figure 1)



1 BEGIN WITH BACK OF RACK

\* Minimize the risk of splitting your side ladders by drilling a 1/16" pilot hole before driving the wood screws. For best results, drive the screw most of the way in with your drill, then finish tightening by hand.

3. Insert middle ladders and finish securing the top and bottom connectors using the 1 1/4" screws provided. **This will be the back of your rack.** (figure 2)
4. Flip rack over and secure two screwless column connectors, make sure that the connectors are flush with the top and bottom edge of the ladders. Make sure the rack is flat on the floor while attaching the screwless connectors. (figure 3)

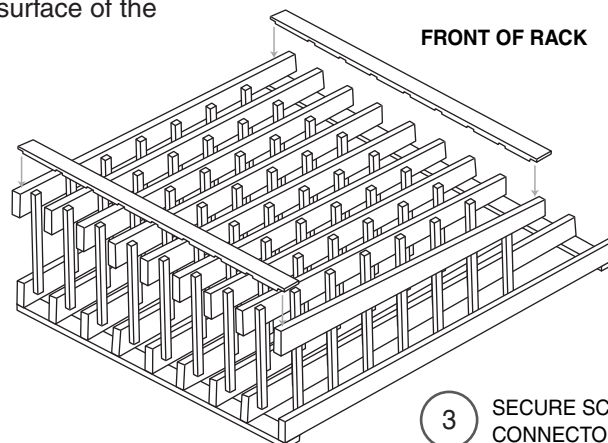


2 INSERT MIDDLE LADDERS

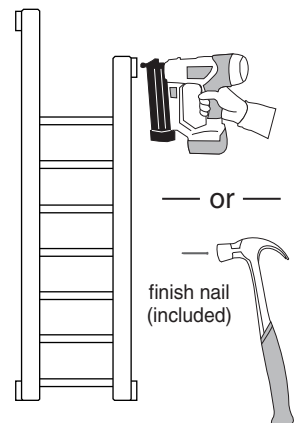
Secure the screwless connectors using a finish nail gun to drive a finish nail through the connector into each vertical ladder. (figure 4)

If you do not have a finish nail gun, drive one of the provided finish nails into each vertical ladder until it is flush. Then, countersink the nail using a nail setter until the head of the nail is about 1/16" below the surface of the wood.

5. Fill the nail holes using the wood putty provided. Simply push the putty into each hole using your thumb and wipe excess putty off the surface using a damp cloth.



3 SECURE SCREWLESS CONNECTORS



4

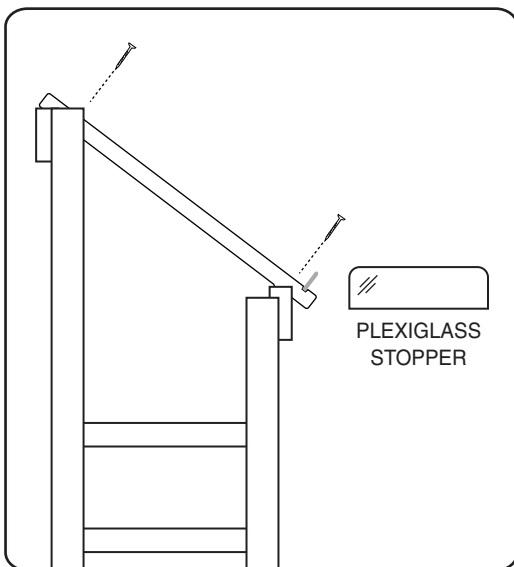
## 6. Insert Display Shelves

Stand your rack and attach the display shelves so that the notches on each shelf sit on the upper connectors of the rack. Secure each shelf with two 1" wood screws. (figure 5)

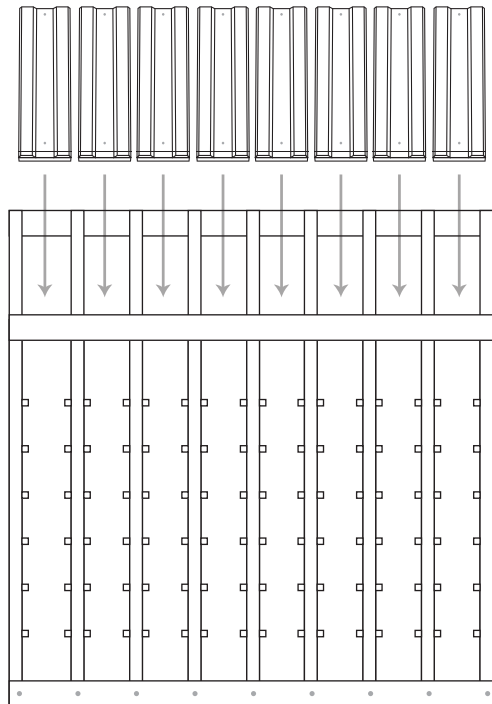
Insert a plexiglass bottle stopper into the slot of each display shelf. If you wish, use a glue gun or a dab of epoxy to secure the plexiglass holder into its slot. (figure 6)

7. That's it! Enjoy this beautiful rack with your favorite beverage. Pair with other rack styles for an ultimate cellar storage look.

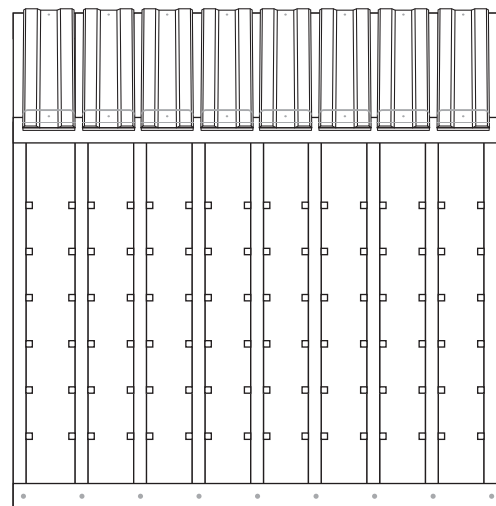
SECURE DISPLAY TRAYS WITH 1" SCREWS  
AND INSERT BOTTLE STOPPERS



6



5 ATTACH DISPLAY  
TRAYS



Finished Result



**WINE RACKS AMERICA**

360 N 700 W suite F • North Salt Lake, UT 84054  
(toll free) 888-373-6057  
(fax) 801-936-0534

WineRacksAmerica.com

Once again thank you for your business. Remember, customer service is available to answer your questions M-F 7:00 am - 5:00 pm MST. Please feel free to contact us for any wine storage need.