



ASSEMBLY INSTRUCTIONS

Solid Diamond Cube

WRA7820, WRA7820BB - Pine

WRA7821, WRA7821BB - Redwood

Questions?

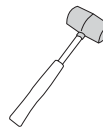
Toll free 1-888-373-6057 or visit WineRacksAmerica.com



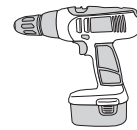
Thank you and CONGRATULATIONS for purchasing this quality product. Properly assembled, your racking will beautifully enhance your wine collection for many years to come. To assemble, please check to ensure all necessary parts are included and follow the assembly instructions closely. If you have any questions or problems please call customer service toll free 1-888-373-6057 Monday through Friday 7:00 am - 5:00pm MST.

Packing List: [14] 1 1/4" wood screws

Tools For Assembly:



Rubber Mallet



Cordless Drill



Utility Knife



Wood Glue



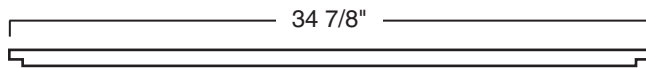
Planning to stain?

For best results we recommend you stain or finish your racking BEFORE assembly.

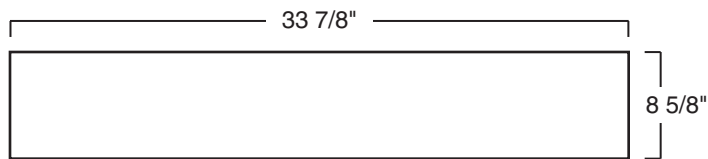
PARTS LIST

PARTS ARE NOT TO SCALE

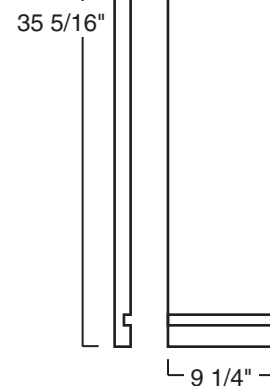
TOP FRAME PIECE



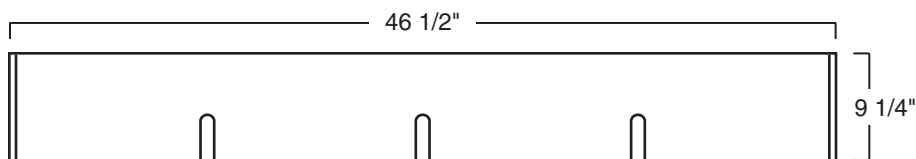
BOTTOM FRAME PIECE



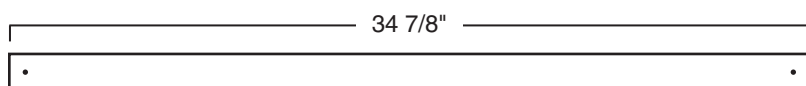
SIDE FRAME PIECE x 2



EXTRA LONG SHELF PIECE x 2



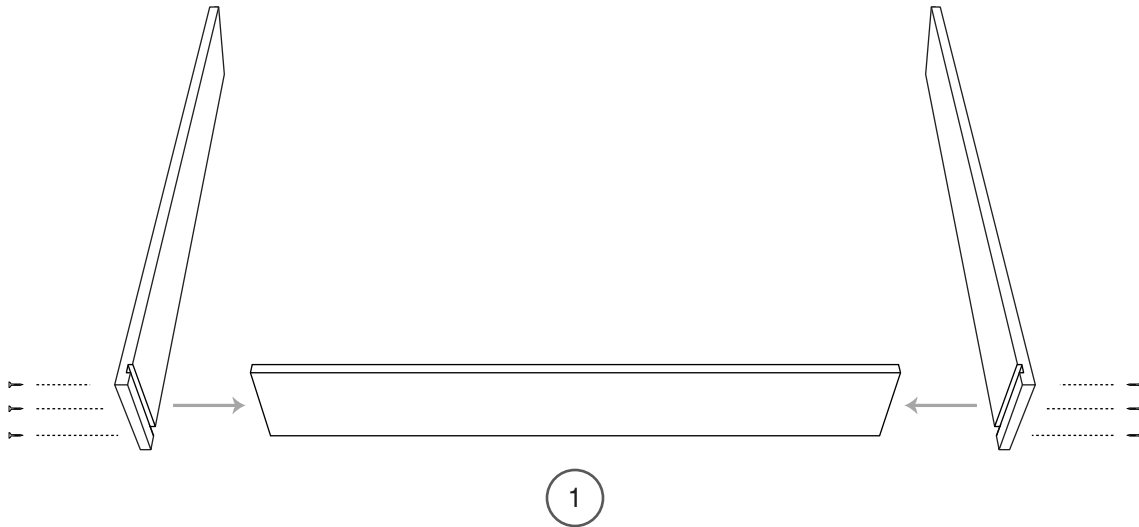
BOTTOM TRIM PIECE



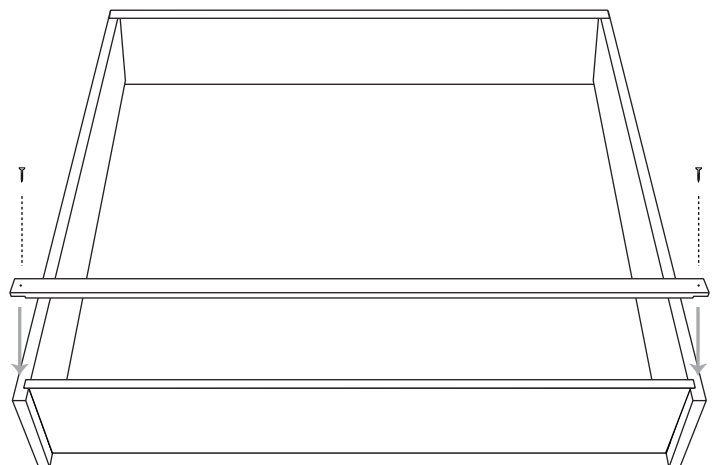
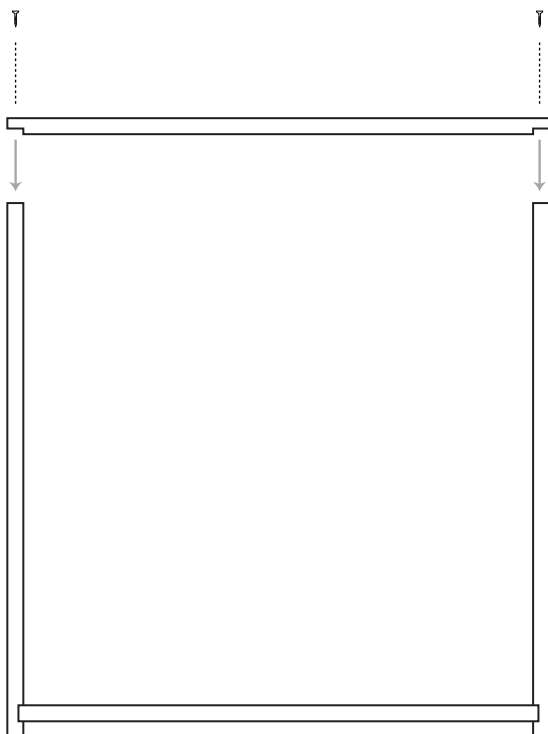
SHORT SHELF PIECE x 4



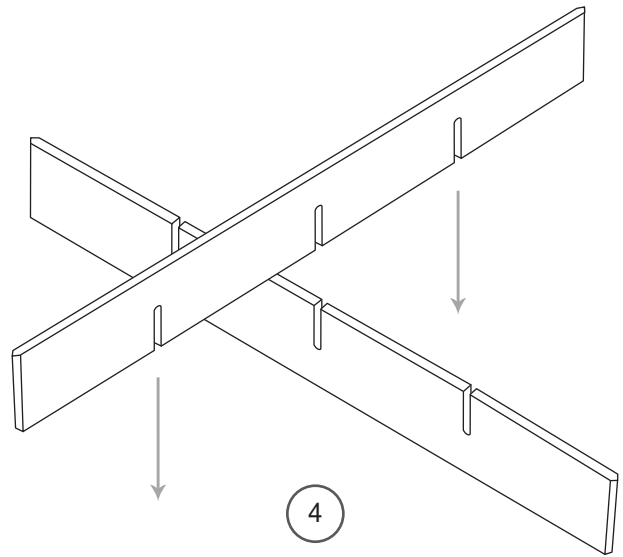
1. Find an open, flat area in which to work. Carefully remove all components from the box and remove banding with a utility knife. Check the parts list to verify package contents
2. Using the included hardware, screw the bottom frame piece into the grooves of the two side frame pieces. Push the bottom frame piece all the way back flush with the back of side frame pieces. (figure 1).



-
3. Stand the rack upright and attach the top frame piece to the side frame pieces. The side frame pieces should fit snugly into the grooves of the top frame piece, secure each end using [3] of the 1 1/4" screws provided. (figure 2).
 4. Now that the frame of the rack is assembled, lay the rack flat on the ground with the front of the rack facing upward. Align the bottom trim piece so that it is flush with the bottom of the rack, and secure it to the side frame pieces using [2] of the 1 1/4" screws provided. (figure 3).

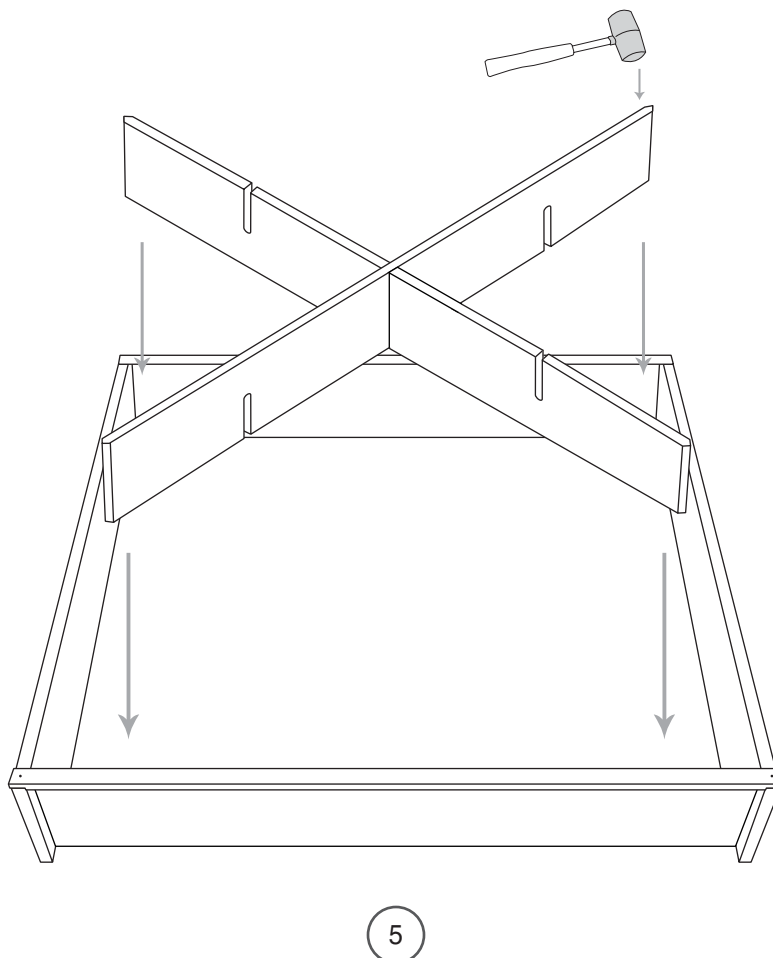


5. Make an "X" by joining the middle notches of the two extra long shelf pieces. (figure 4)



6. Insert the "X" assembly into the frame as shown. (figure 5)

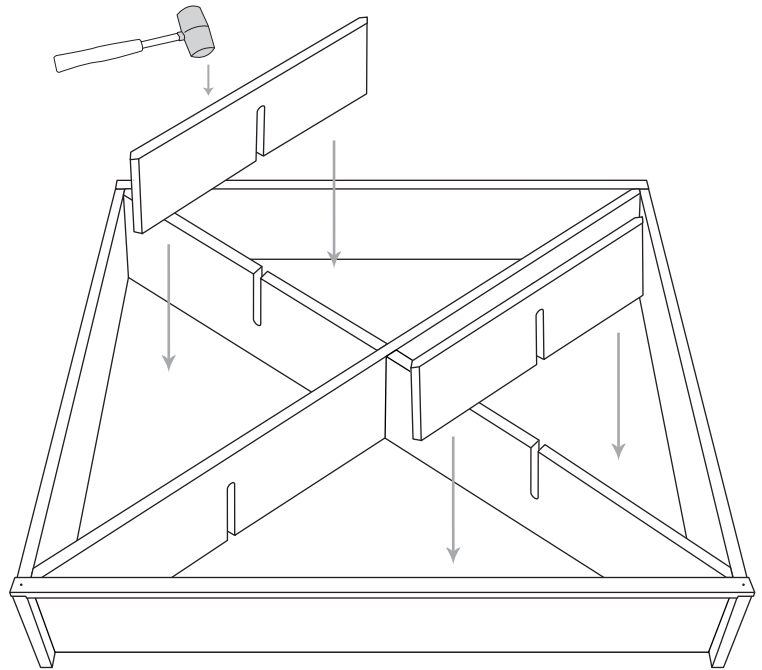
***DO NOT FORCE!** Carefully work the divider shelves into the frame until it settles flush with the sides. If necessary, Use a rubber mallet to lightly tap the shelf pieces into place.



7. Join the short and extra long shelf pieces at the notch, then slide down into place. It will be necessary to flip the rack over face down to insert the second pair of short shelf pieces. (figure 6)

***DO NOT FORCE!** Carefully work the divider shelves into the frame until it settles flush with the sides. If necessary, Use a rubber mallet to lightly tap the shelf pieces into place.

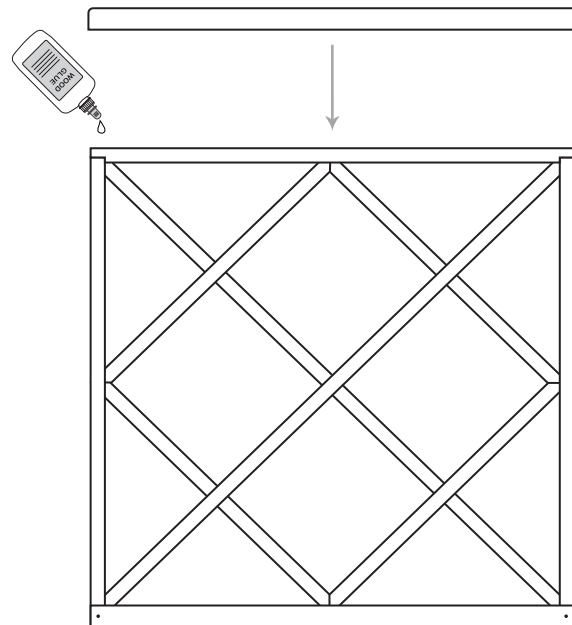
8. There is no hardware necessary to install the shelving pieces. Simply insert them and you are done!



6

Tasting Table Top

If you ordered the Solid Diamond Cube with the butcher block top, secure it by placing a small amount of wood glue on the top of the box frame and clamping the two with standard wood clamps until fully dry. (figure 7)



7



WINE RACKS AMERICA

360 N 700 W suite F • North Salt Lake, UT 84054
(toll free) 888-373-6057
(fax) 801-936-0534

WineRacksAmerica.com

Thank you for your business. Remember, customer service is available to answer your questions M-F 7:00 am - 5:00 pm MST. Please feel free to contact us for any wine storage need.