



# ASSEMBLY INSTRUCTIONS

## Table Top Racks

Questions?  
Toll free 1-888-373-6057 x 2



For all Table Top models **WRA2240 & WRA2241** - 24 Bottles  
**WRA2360 & WRA2361** - 36 Bottles  
**WRA2480 & WRA2481** - 48 Bottles

Thank you and CONGRATULATIONS on your purchase. Properly assembled, your racking will beautifully enhance your wine collection for many years to come. To assemble, please check to ensure all necessary parts are included and follow the assembly instructions closely. If you have any questions or problems please call customer service toll free 1-888-373-6057 Monday - Friday 7:00 am to 5:00 pm MST. Or, visit us on the web at [www.wineracksamerica.com](http://www.wineracksamerica.com)

### Tools for assembly:



Phillips  
screwdriver



Cordless  
drill



1/16" pilot  
hole bit  
(optional)



Utility knife



### Planning to stain?

For best results we recommend you stain or finish your racking BEFORE assembly

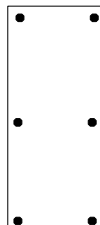
### PART DESCRIPTIONS:



SCREW CAP



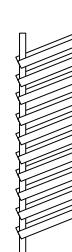
#6 WOOD SCREW 1 1/4"



TOP



SIDE LADDERS



MIDDLE LADDERS

(not to scale)

Please verify that you have the correct number of parts before proceeding. Your bundle should contain the following:

To correct any packaging errors please contact us by phone or support@wineracksamerica.com

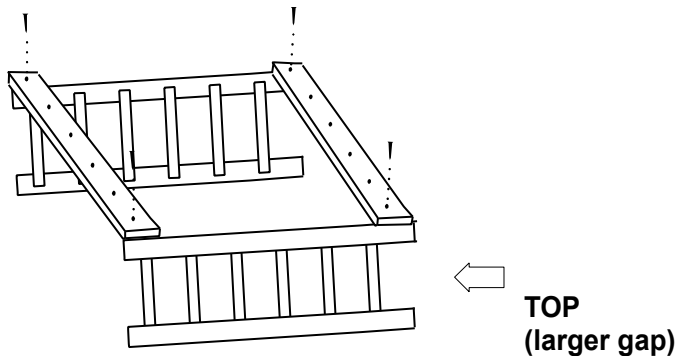
### PACKAGE CONTENTS

Model #	Top	Side Ladders	Middle Ladders	Screws	Screw Caps
WRA2240	1	2	3	20	6
WRA2241	1	2	3	20	6
WRA2360	1	2	5	36	6
WRA2361	1	2	5	36	6
WRA2480	1	2	3	20	6
WRA2481	1	2	3	20	6

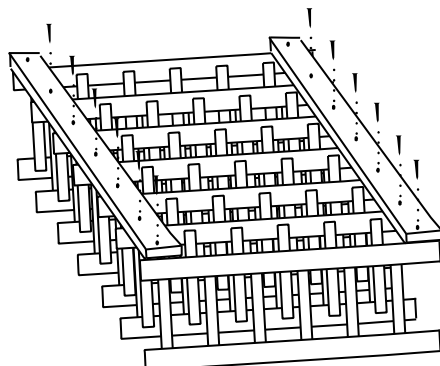
**ASSEMBLY INSTRUCTIONS - We'll put together a 36 Table Top as an example. If you purchased another Table Top model, follow these instructions and simply adjust for the number of middle ladders in your package.**

Step 1) Find an open, flat area in which to work. Carefully remove all components from the box and remove banding with a utility knife. Check to insure your package contains all necessary components as described above.

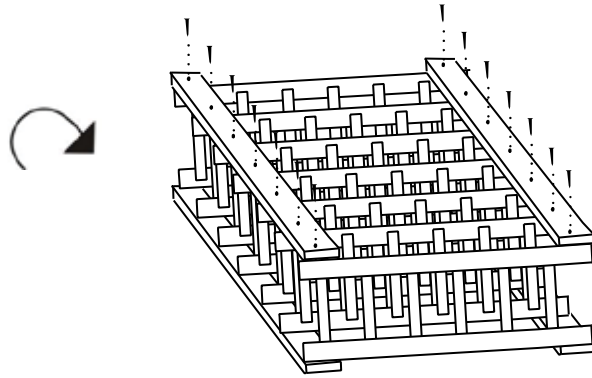
Step 2) Arrange the end ladders so that the bottle support pieces face one another. Align the large gaps on each ladder. The end with the larger gap is the top of your rack. Attach the top and bottom connectors at all four corners, flush with the top and bottom edge of the ladders.



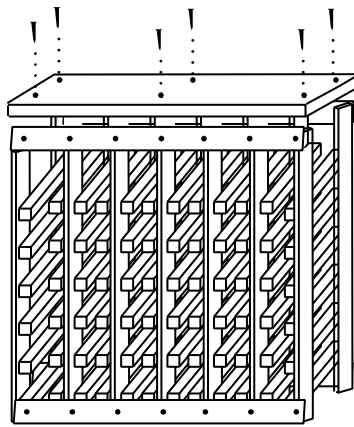
Step 3) Insert middle ladders and finish securing the top and bottom connectors.



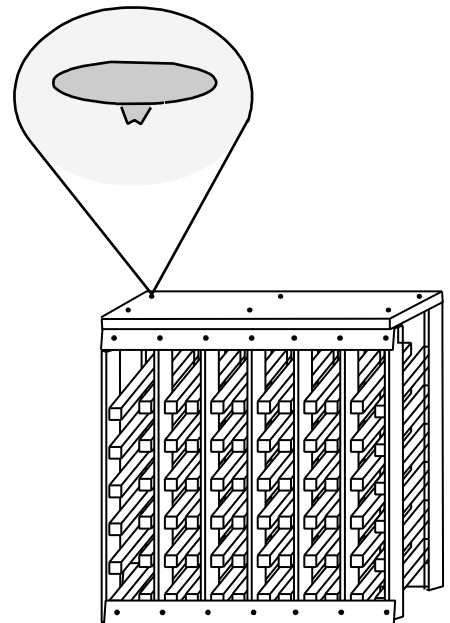
Step 4) Flip rack over and repeat.



Step 5) Stand your rack up and attach the top.



Step 6) Insert one screw cap into the head of each screw on the top of your rack.



**WINE RACKS AMERICA**

360 N 700 W suite F • North Salt Lake, UT 84054

(toll free) 888-373-6057

(fax) 801-936-0534

WineRacksAmerica.com

Once again thank you for your business. Remember, customer service is available to answer your questions M-F 7:00 am - 5:00 pm MST. Please feel free to contact us for any wine storage need.