

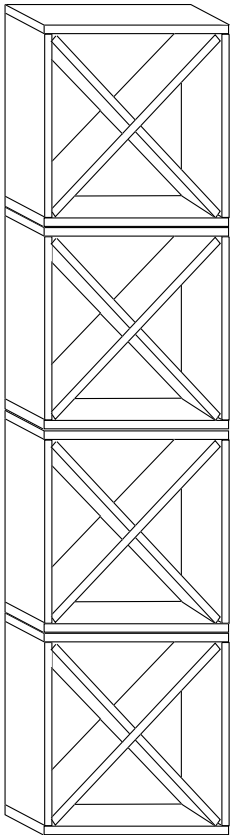


ASSEMBLY INSTRUCTIONS

24 Bottle Wine Cube Racks

Questions?
Toll free 1-888-373-6057 x 2

For all Cube models: **WRA7240 & WRA7241** 24 Bottles
WRA7480 & WRA7481 48 Bottles
WRA7960 & WRA7961 96 Bottles
WRA7900 & WRA7901 90 Bottles



Thank you and CONGRATULATIONS on your purchase. Properly assembled, your racking will beautifully enhance your wine collection for many years to come. To assemble, please check to ensure all necessary parts are included and follow the assembly instructions closely. If you have any questions or problems please call customer service toll free 1-888-373-6057 Monday - Friday 7:00 am to 5:00 pm MST. Or, visit us on the web at www.wineracksamerica.com



Planning to stain?

For best results we recommend you stain or finish your racking BEFORE assembly

Tools for assembly:



Phillips
screwdriver



Cordless
drill



1/16" pilot
hole bit
(optional)



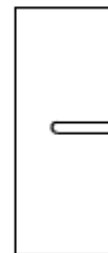
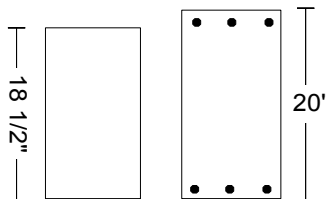
Utility knife

PART DESCRIPTIONS: (per individual cube)



#6 WOOD
SCREW 1 1/4"

BOX FRAME:



MIDDLE "X"

(not to scale)

Please verify that you have the correct number of parts before proceeding. Your bundle should contain the following:

To correct any packaging errors please contact customer support

PACKAGE CONTENTS

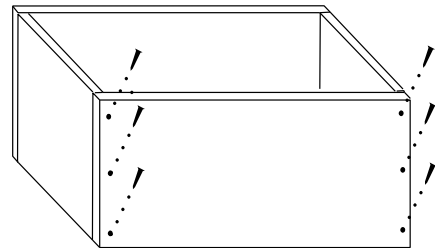
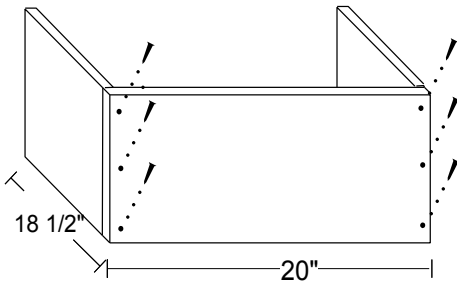
Model	Long Box Frame Pc.	Short Box Frame Pc.	Middle "X" Pc.	#6 Screws
WRA7240	2	2	2	12
WRA7241	2	2	2	12
WRA7480	4	4	4	24
WRA7481	4	4	4	24
WRA7960	8	8	8	48
WRA7961	8	8	8	48

ASSEMBLY INSTRUCTIONS

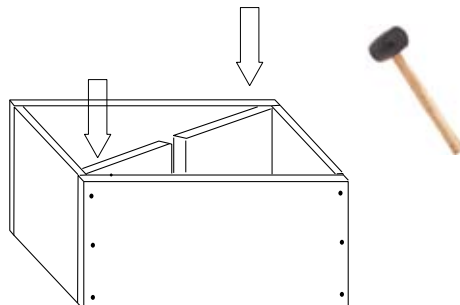
Step 1. Find an open, flat area in which to work. Carefully remove all components from the box and remove banding with a utility knife. Check the parts list above for package contents.

Step 2. Arrange one short side and one long side like an "L" on the floor or a table. Carefully line up both pieces and attach using 3 of the #6 wood screws that came with your rack. Repeat on both ends of the 20" piece to form a "U". The long side is the bottom of your rack.

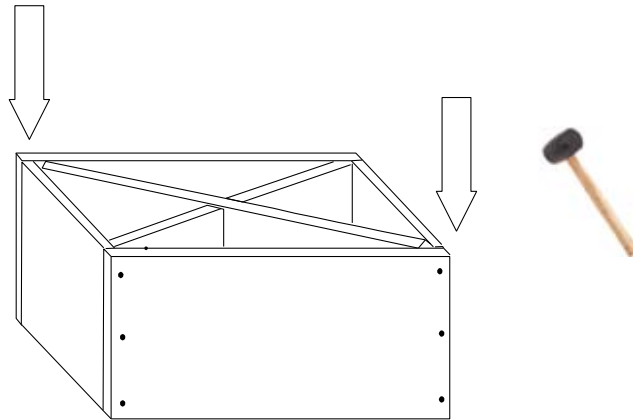
Repeat on the other side.



Step 3. Place one of the diagonal cross members into the Wine Cube frame with the notch facing up. Do not force! Use a rubber mallet to gently tap the cross member first on one side, then the other until it is all the way down.



Step 4. Place the remaining cross member into the rack by matching up the notches and slide down into place.
Do not force! Use a rubber mallet to gently tap the cross member into place.



Step 5. That's it! Repeat this process for each cube you purchased. Stack cubes in any configuration you like once they are assembled.

Step 6. Attach your racks to each other and the wall

Warning! When fully loaded your racks are very heavy. When stacking multiple cubes it is recommended that you follow these steps to securely anchor racking to a wall:

Shim the racks even with the wall and connect the individual racks in your configuration to each other through the top, bottom, or sides (depending on your configuration). Then use "L" brackets (available at any hardware store) with a 1/2" wood screw attached to the rack and a 2" wood screw attached through the wall material and into a stud.



WINE RACKS AMERICA

360 N 700 W suite F • North Salt Lake, UT 84054
(toll free) 888-373-6057
(fax) 801-936-0534

WineRacksAmerica.com

Once again thank you for your business. Remember, customer service is available to answer your questions M-F 7:00 am - 5:00 pm MST. Please feel free to contact us for any wine storage need.